

GreenBurn® SAFD

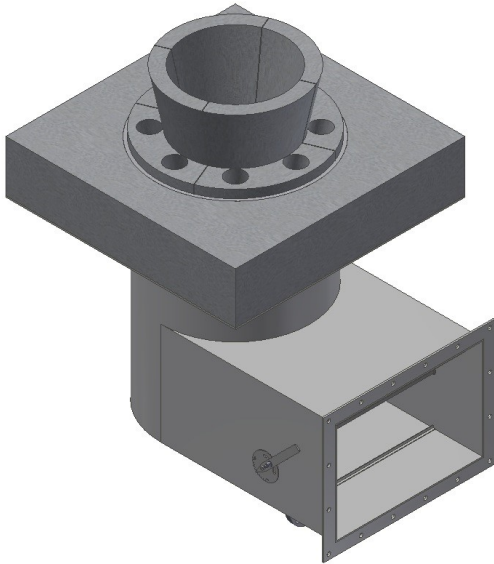
Staged Air Forced Draught

Low NOx / Staged Air Burner

Forced Draught / Multi-Fuel

Up or Side Fired

Round or Flat Flame



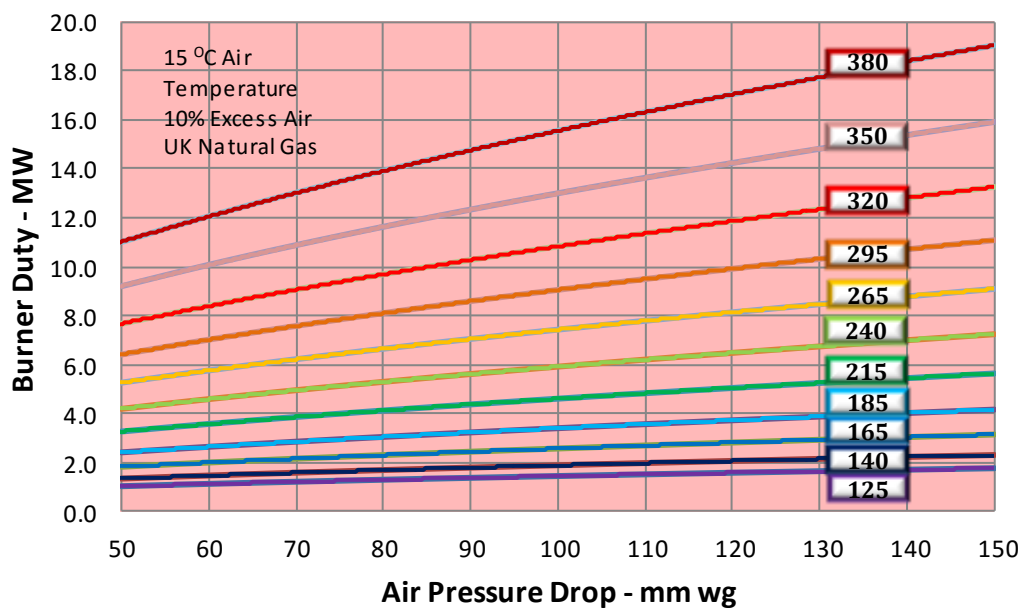
Features

- Turndown - 10:1
- Noise - < 85 dB'A'
- NOx - < 100 mg/Nm³
- CO - < 30 mg/Nm³
- Single combustion damper for ease of operation.
- Single gas inlet for reduced site connections.
- Silenced windbox with perforated retaining plate for longer insulation life.

Overview

The Greenburn FD being from the same family as the ND burner uses the principle of staged air, by splitting the combustion air into primary and secondary regions Greens can achieve low NOx emissions whilst in turn providing stability and greater resistance to plugging across a wide range of fuel gases due to the fuel gun / guns

GreenBurn SAFD Burner Selection Chart



URS is a member of Registrar of Standards (HSK) Group Ltd.



GreenBurn® SAFD

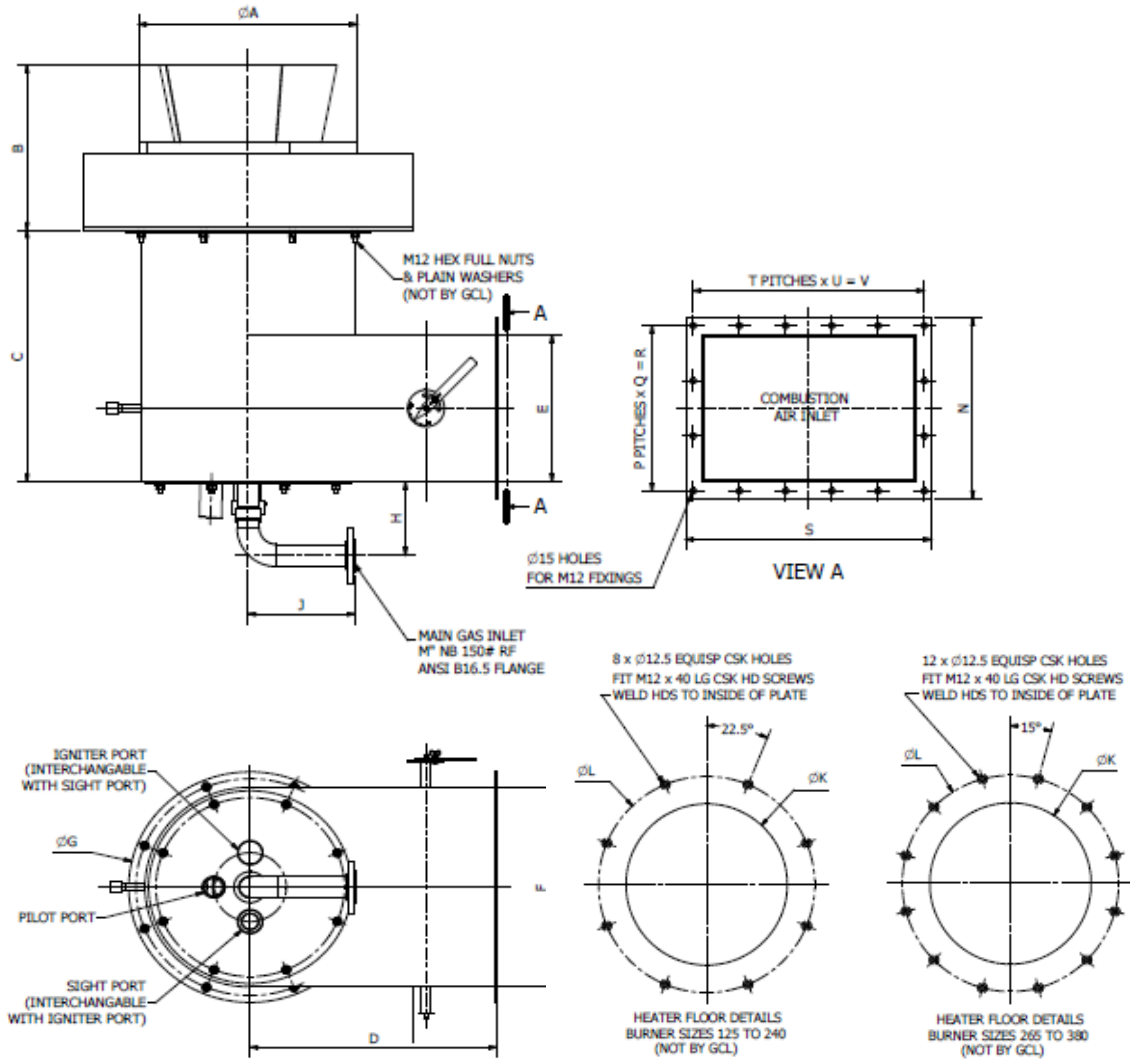
Staged Air Forced Draught

Low NOx / Staged Air Burner

Forced Draught / Multi-Fuel

Up or Side Fired

Round or Flat Flame



SAFD DATA SHEET

BURNER DIMENSIONS																				
SIZE	A	B	C	D	E	F	G	H	J	K	L	M	N	P	Q	R	S	T	U	V
125	380	342	360	355	220	290	380	160	140	280	340	1"	310	2	135	270	380	3	113	339
140	409	357	406	401	246	330	420	160	160	310	380	1"	336	2	148	296	420	3	127	381
165	455	377	467	462	280	384	474	180	190	340	434	1.1/2"	370	3	110	330	474	3	145	435
185	493	398	530	525	314	442	532	180	220	380	492	1.1/2"	404	3	121	363	532	4	123	492
215	549	424	610	605	358	514	604	200	250	430	564	2"	448	3	136	408	604	4	141	564
240	597	449	685	680	400	580	670	200	290	470	630	2"	490	3	150	450	670	5	126	630
265	645	487	762	757	442	650	740	200	320	510	700	2"	532	4	123	492	740	5	140	700
295	701	531	832	827	482	710	800	220	350	560	760	2.1/2"	572	4	133	532	800	6	127	762
320	748	569	912	907	526	782	872	220	390	600	832	2.1/2"	616	4	144	576	872	6	139	834
350	805	614	995	990	572	856	946	240	420	650	906	3"	662	5	124	620	946	7	129	903
380	862	659	1085	1080	622	936	1026	240	460	700	986	3"	712	5	134	670	1026	7	141	987

Greens Combustion Limited,

A31, Arena Business Centre, Holyrood Close, Poole, Dorset, BH17 7FJ, UK

Tel: +44 (0)1202 607563 Email: info@greenscombustion.com