

GreenBurn® RWND

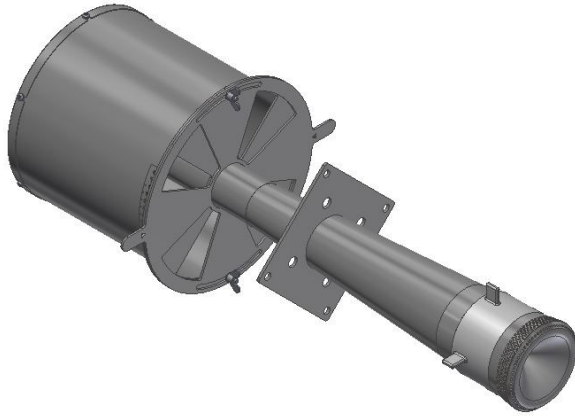
Radiant Wall Natural Draught

Low NOx / Staged Fuel Burner

Self Inspiring / Gas Only

Wall Fired

Round Flame



Features

- 0.1 to 0.8 MW.
- Draft 1 to 15 mmwg.
- Turndown - 5:1.
- Noise - < 85 dB'A'.
- NOx - < 100 mg/Nm³.
- CO - < 30 mg/Nm³.
- Side Fired.
- High efficiency venturi design.
- Easy to operate damper.
- Silenced air inlet for low noise applications.

Overview

The GreenBurn RW ND is a self inspiring premix burner that incorporates a venturi to inspire the air using the momentum of the fuel gas leaving the gas jet. This air / fuel mixture then leaves the burner nozzle through a series of holes which direct and shape the flame within furnace.

A low NOx poker can be supplied to create a fuel staged environment thus reducing the emissions of this versatile burner.

The materials of construction are key to the burner design and Greens select the materials to ensure a long nozzle life expectancy combined with a lightweight construction and stainless body for ease of maintenance and resistance to the most arduous environment's.

The aerodynamic design of the air inlet silencer provides low burner noise levels, and offers better air flowrate efficiency, reducing the susceptibility to the effect of wind and the likelihood of internal contamination and nozzle blockage from debris falling from the above platforms.



URS is a member of Registrar of Standards (Holdings) Ltd.



GreenBurn® RWND

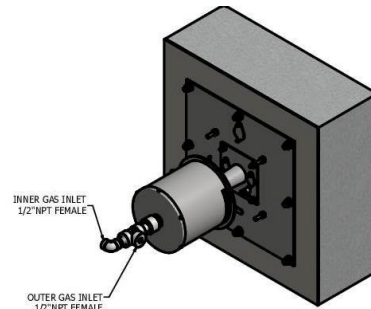
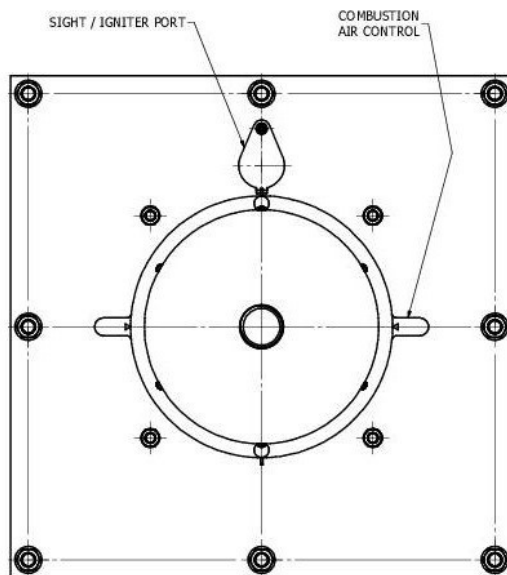
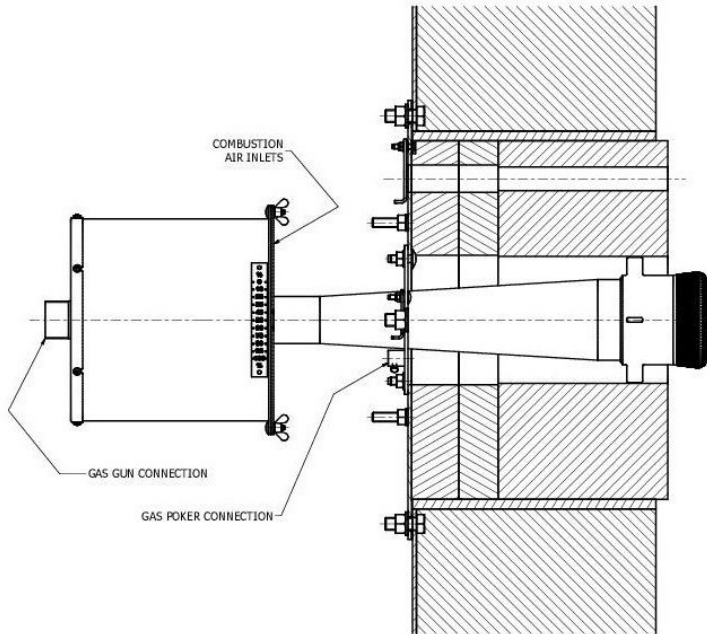
Radiant Wall Natural Draught

Low NOx / Staged Fuel Burner

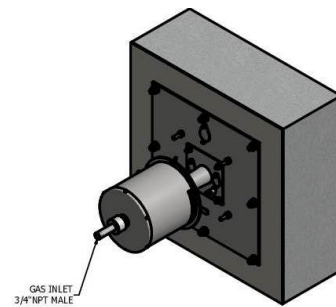
Self Inspiring / Gas Only

Wall Fired

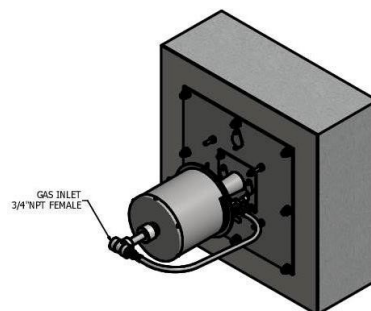
Round Flame



DUAL GAS VERSION



SINGLE GAS VERSION



LOW NOX VERSION

Greens Combustion Limited,

A31, Arena Business Centre, Holyrood Close, Poole, Dorset, BH17 7FJ, UK

Tel: +44 (0)1202 607563 Email: info@greenscombustion.com