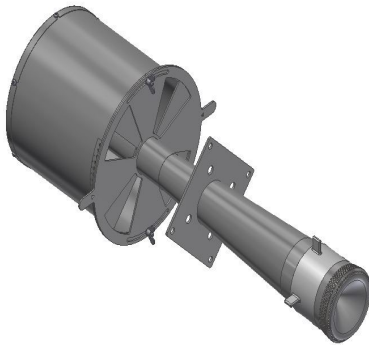


Refineries, Petrochemical and Fertiliser complexes can have standard or variety of reformer types.

From our years of experience in the Industry, Greens Combustion has extended the GreenBurn range to cover both side fired radiant wall and a down fired applications.

Self Inspiring, side fired radiant wall, gas only low NOx

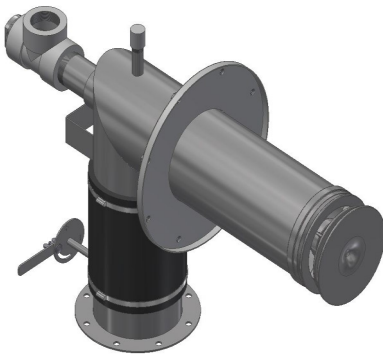


The GreenBurn RW ND Burner is a natural draught premix burner that incorporates a venturi to inspire the combustion air using the momentum of the fuel gas leaving the jet. This air / fuel mixture then leaves the burner nozzle through a series of holes and / or slots

Features

- High efficiency venturi
- Easy to operate air damper
- Silenced air inlet for low noise
- 5: 1 Turn Down
- Draft 1 to 15 ww wg
- NOx < 100mg/Nm³
- CO < 10 mg/Nm³
- Capacity 0.1 to 0.8 MW

Forced Draught, side fired radiant wall, gas only low NOx



The GreenBurn RW FD is a forced draught radiant wall nozzle mix burner which can operate with a wide range of fuels from 100% hydrogen to 100% propane as well as low calorific value off gas mixtures with no adjustment necessary.

Features

- Nozzle mix design
- Staged fuel NOx reduction
- High out-of-ratio turndown
- No forward flame propagation
- 10: 1 Turn Down
- Side Fired
- NOx < 100mg/Nm³
- CO < 10 mg/Nm³
- Capacity 0.2 to 0.9 MW

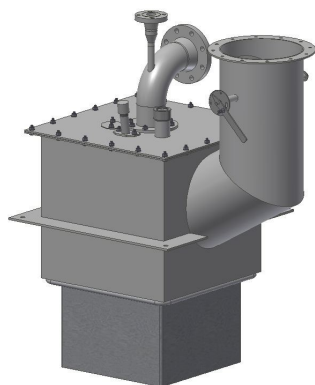
REFORMERS



URS is a member of Registrar of Standards (Hickings) Ltd.



Forced Draught, down fired, gas only low NOx



The GreenBurn DF is based upon the widely established and accepted staged air design principle for low NOx production.

The GreenBurn DF has a double gas nozzle designed to avoid overheating and metal dusting problems

Features

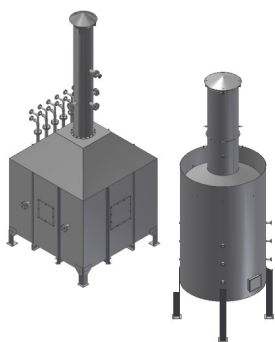
- Fixed geometry with no adjustable parts.
- High thermal efficiency Internal insulation.
- Improved air flow distribution.
- Silenced Windbox.
- 10: 1 Turn Down
- Down Fired
- NOx < 50mg/Nm³
- CO < 10 mg/Nm³
- Capacity 0.5 to 3.1MW

After Market & On-site services



Reformers are a high efficiency plants, and it follows that the burners installed on them are a critical item. It is therefore essential that the burners are well maintained and are operated correctly within their design operating envelope. Greens Combustion have highly experienced staff who can assist with optimizing furnaces, offer maintenance training, carry out health checks, give turn around advice, and if so desired supply component parts.

Testing Capabilities



To ensure that we can develop the burners and cope with the demands specified by the Industry Greens Combustion utilize a number of test furnaces through out Europe. Site fuels are simulated by blending gases such as Natural Gas, Hydrogen, Propane, Carbon Dioxide, Nitrogen, HFO or Diesel. Other specific fuels may be fired upon request.

Greens Combustion Limited,

A31, Arena Business Centre, Holyrood Close, Poole, Dorset, BH17 7FJ, UK

Tel: +44 (0)1202 607563 Email: info@greenscombustion.com