

GreenBurn® DFFD

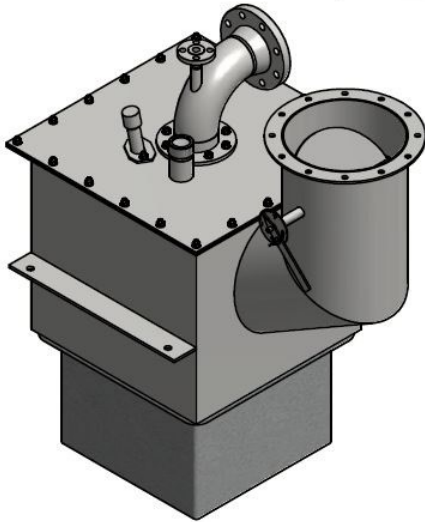
Down Fired Forced Draught

Low NOx / Staged Air Burner

Forced Draught / Multi-Fuel

Down Fired

Round Flame



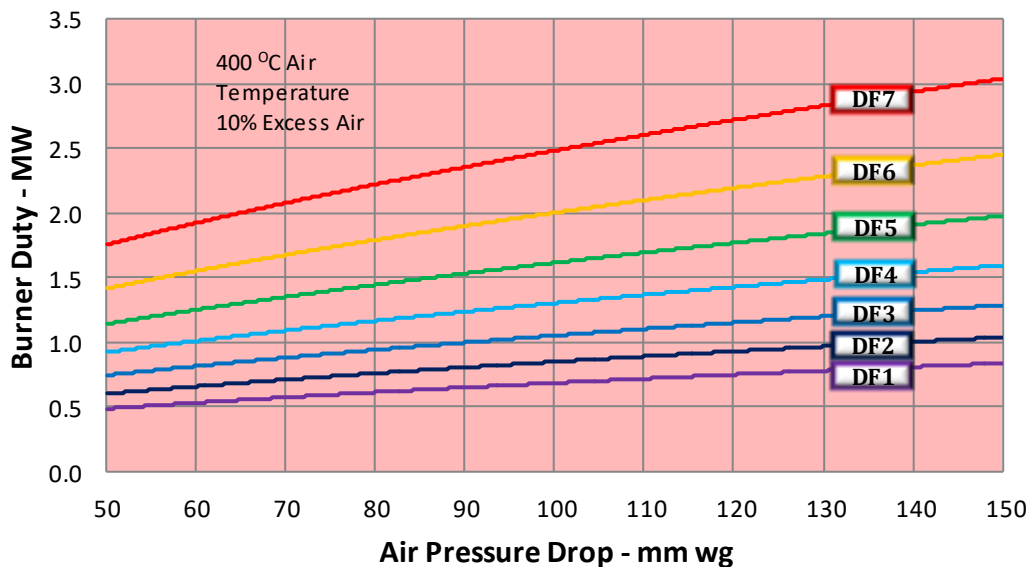
Features

- Turndown - 10:1
- Noise - < 85 dB'A'
- NOx - < 50 mg/Nm³
- CO - < 30 mg/Nm³
- If required fixed geometry with no adjustable parts
- High thermal efficiency internal insulation.
- Improved air flow distribution

Overview

The Greenburn DF is based upon the widely established and accepted staged air design principle for low NOx production, this design splits the combustion air into primary, secondary and tertiary streams allowing not only for low emissions but also a greater resistance to plugging due to the large holes and a more defined flame due to the extra control within the air stream. The GreenBurn DF double gas includes a combined gas nozzle designed to avoid overheating and metal dusting problems.

GreenBurn DFFD Burner Selection Chart



URS is a member of Registrar of Standards (Holdings) Ltd.



GreenBurn® DFFD

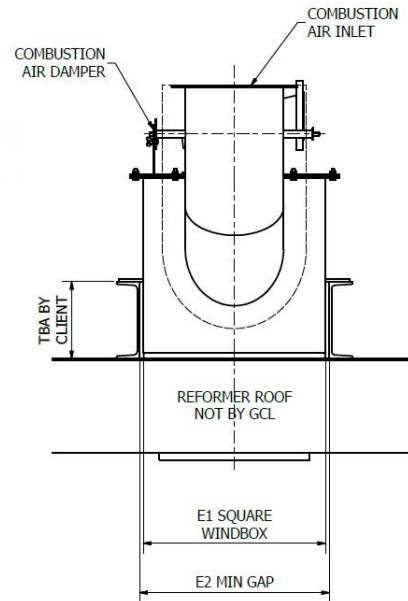
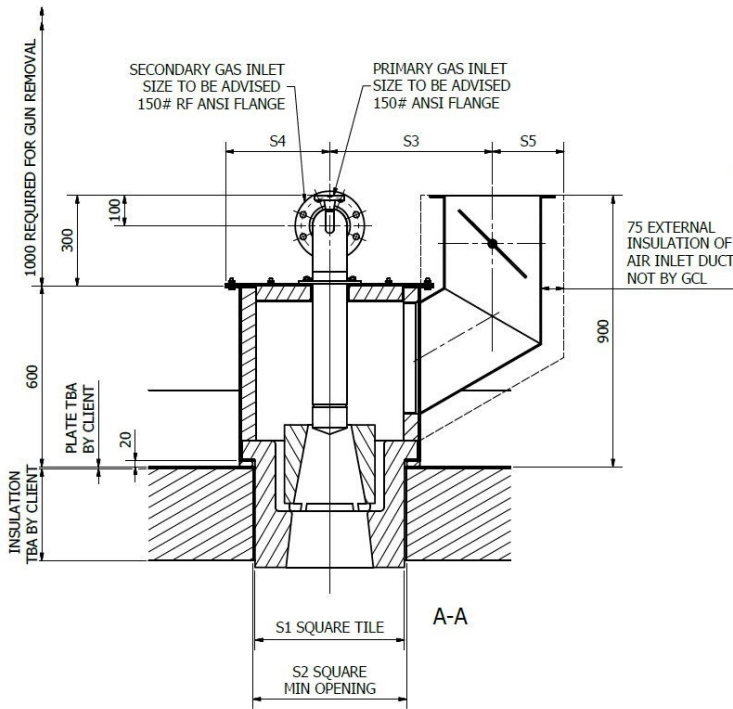
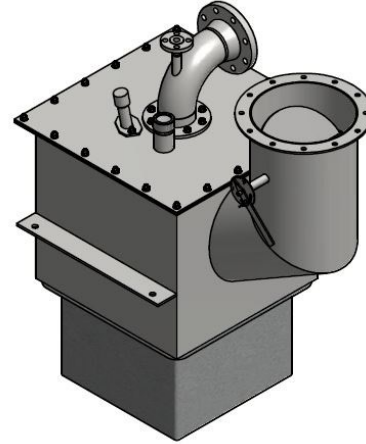
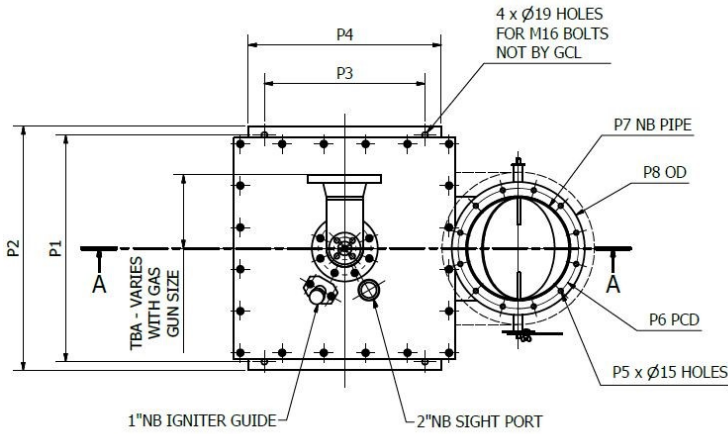
Down Fired Forced Draught

Low NOx / Staged Air Burner

Forced Draught / Multi-Fuel

Down Fired

Round Flame



SIZE	P1	P2	P3	P4	P5	P6	P7	P8	S1	S2	S3	S4	S5	E1	E2
1	570	625	365	465	8	270	8"	310	360	375	420	278	185	465	490
2	590	645	385	485	8	270	8"	310	380	395	430	288	185	485	510
3	610	665	405	505	8	270	8"	310	400	415	440	298	185	505	530
4	640	695	435	535	12	323	10"	363	430	445	480	313	212	535	560
5	665	720	460	560	12	323	10"	363	455	470	500	325	212	560	585
6	705	760	500	600	12	374	12"	414	495	510	540	345	237	600	625
7	740	795	535	635	12	374	12"	414	530	545	560	363	237	635	660

Greens Combustion Limited,

A31, Arena Business Centre, Holyrood Close, Poole, Dorset, BH17 7FJ, UK

Tel: +44 (0)1202 607563 Email: info@greenscombustion.com

DFFD DATA SHEET