

GreenBurn® HI

High Intensity Burner

Standard Windbox or Pressure Vessel to ASME VIII Div 1

Single Air Inlet or Staged Air Option

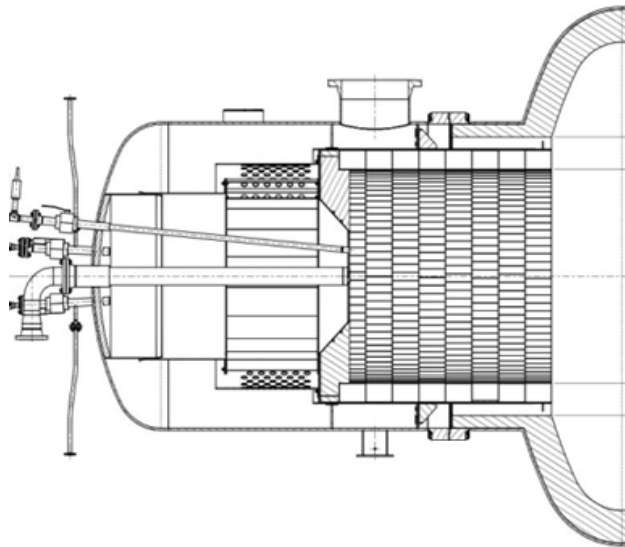
Stable Flame over Large Operating Range

Rapid Vortex Mixing, Short Flame

Multi-Gas / Acid Gas / Liquid Fuels

Up, Side or Down Fired

Refractory Lined Combustor



Features

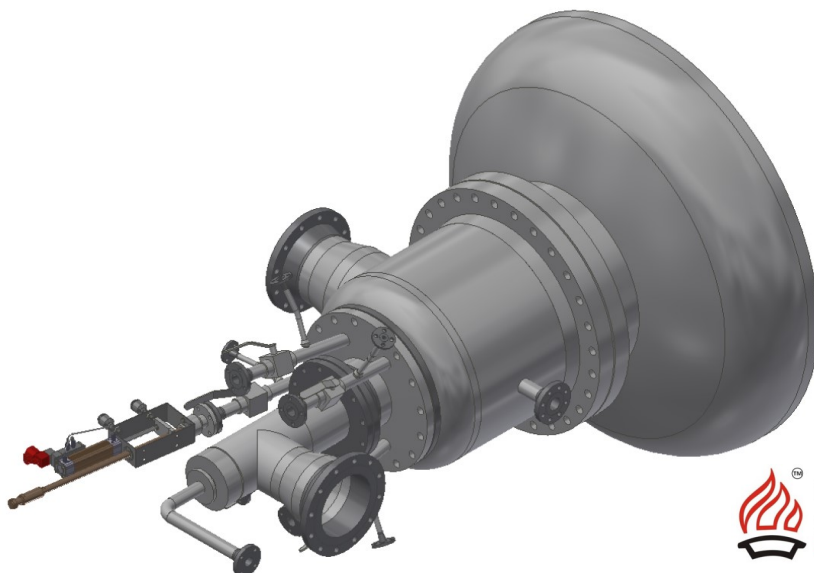
- Stable over a wide range of air and fuel ratios
- Sizes upto 70MW duty
- Turndown 10:1
- Air Ratio Sub-stoichiometric to High Excess
- Air pressure drop 30 to 600 mmwg
- Airflow upto 100,000 kg/h
- Fittings for Flame Scanners, Pilots & Igniters
- 310 SS fuel tips or other alloys as necessary
- High Alumina brick lined combustor
- Long service life

Overview

The Greenburn HI burner is a very reliable stable and robust burner. It can be readily adapted for a variety of roles utilizing different gas or liquid fuels, acid gas or other waste streams. Its principle use is on Thermal Oxidisers whereby it excels by providing a strong stable core with high mixing energy to a variety of waste destruction applications.

SRU Claus Furnaces—The high intensity burner is an effective Acid Gas burner providing high temperature rapid mixing to control the H₂S / SO₂ ratio with sub-stoichiometric combustion.

Tail Gas Incinerators— A premium performance burner for strong stability and mixing energy for improved waste destruction oxidation. A secondary staged air annular inlet can be added to maintain a hot stable support fuel core yet provide all the air for oxidation of the waste streams.



URS is a member of Registrar of Standards (RSGlobal) Ltd.

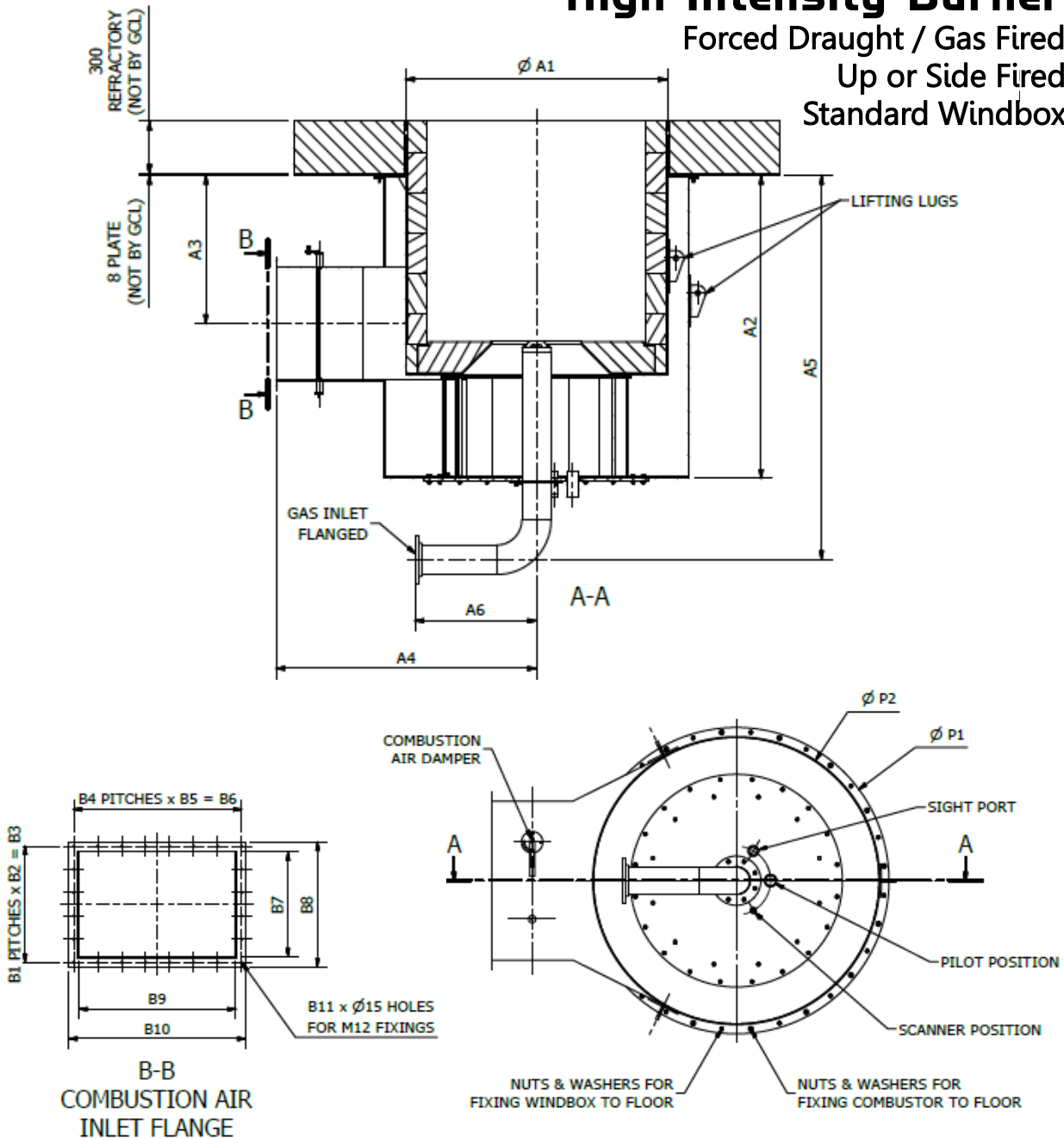


HI DATA SHEET

GreenBurn® HI

High Intensity Burner

Forced Draught / Gas Fired
Up or Side Fired
Standard Windbox



GreenBurn HI Dimensions

(mm, typical standard design, single air inlet, single fuel)

SIZE	P1	P2	A1	A2	A3	A4	A5	A6	B1	B2	B3	B4	B5	B6	B7	B8	B9	B10	B11
3	966	856	763	542	250	825	1000	400	3	108	324	4	114	456	262	364	393	495	14
4	1034	924	824	639	300	850	1100	400	3	118	354	4	126	504	293	395	440	542	14
5	1122	1012	892	749	350	975	1200	450	3	130	390	4	138	552	328	430	492	594	14
6	1215	1105	968	870	400	1000	1350	500	3	143	429	5	122	610	367	469	550	652	16
8	1318	1208	1053	1006	500	1125	1500	550	4	118	472	5	135	675	410	512	614	716	18
10	1434	1324	1149	1160	550	1150	1650	550	4	130	520	5	150	750	458	560	687	789	18
13	1563	1453	1255	1330	650	1300	1800	600	4	144	576	6	138	828	512	614	768	870	20
16	1708	1598	1374	1521	750	1350	2000	650	5	127	635	7	132	924	572	674	859	961	24
20	1870	1760	1508	1735	850	1500	2200	700	5	142	710	7	148	1036	640	762	961	1083	24
25	2051	1941	1656	1973	950	1650	2450	800	6	131	786	8	143	1144	716	838	1073	1195	28
31	2254	2144	1823	2241	1100	1825	2700	850	6	145	870	9	141	1269	800	922	1200	1322	30
39	2481	2371	2009	2538	1250	2000	3000	950	7	138	966	10	142	1420	895	1017	1343	1465	34

Greens Combustion Limited,

A31, Arena Business Centre, Holyrood Close, Poole, Dorset, BH17 7FJ, UK

Tel: +44 (0)1202 607563 Email: info@greenscombustion.com