

# GreenBurn® HI

## HIGH INTENSITY BURNER

DATA  
SHEET

- > Standard Windbox or Pressure Vessel to ASME VIII Div I
- > Single Air Inlet or Staged Air Option
- > Rapid Vortex Mixing, Short Flame
- > Refractory Lined Combustor
- > Up, Side, Down Fired



### Features

- » Sizes up to 70 MW
- » Air Pressure drop 30 to 600 mmwg
- » Air ratio sub-stoichiometric to high excess
- » Turndown 10:1
- » Airflow up to 100,000 kg/h
- » Stable over a wide range of air and fuel ratios
- » 310 SS fuel tips or other alloys as necessary
- » High Alumina brick lined combustor
- » Fittings for Flame Scanners, Pilots & Igniters
- » Long service life

### Overview

The **GreenBurn® HI** burner is a very reliable, stable and robust burner. It can be readily adapted for a variety of roles utilising different gas or liquid fuels, acid gas over a large operating range or other waste streams. Its principle use is on Thermal Oxidisers whereby it excels by providing a strong stable core with high mixing energy to a variety of waste destruction applications.

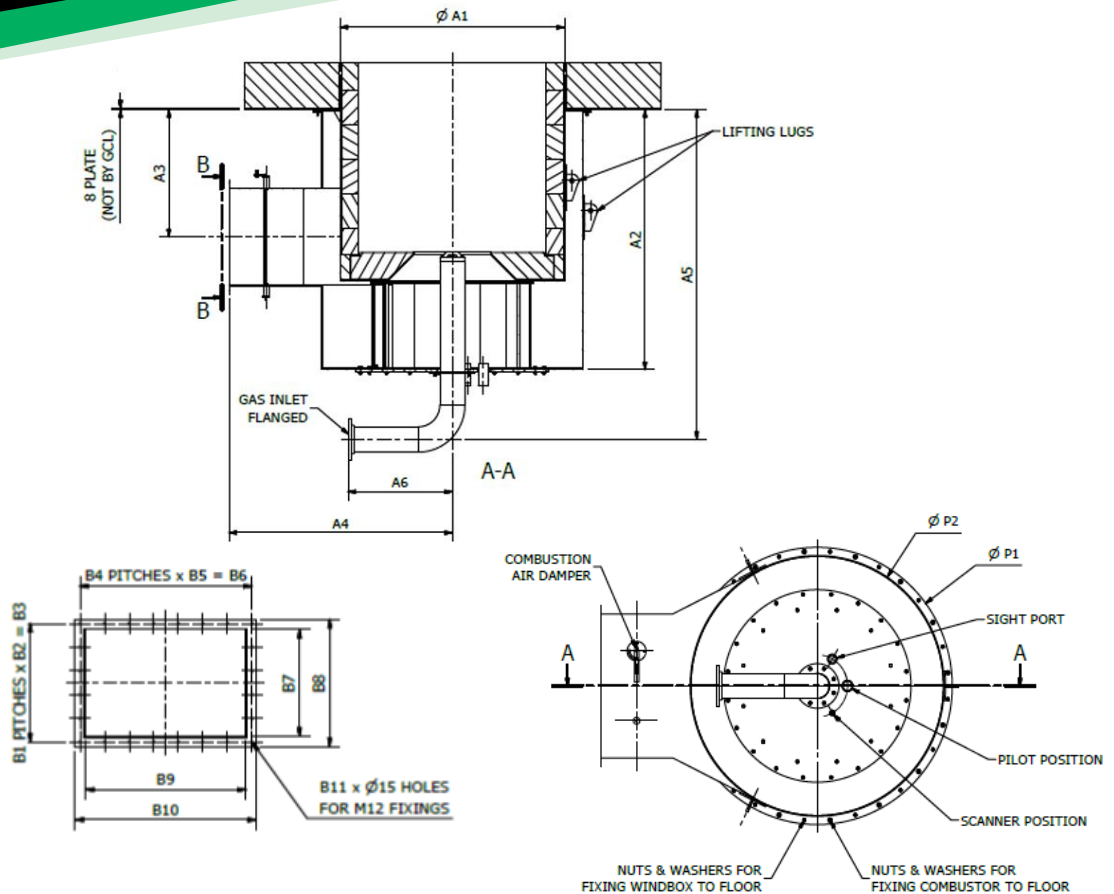
**Tail Gas Incinerators** - A premium performance burner for strong stability and mixing energy for improved waste destruction oxidation. A secondary staged air annular inlet can be added to maintain a hot stable support fuel core yet provide all the air for oxidation of the waste streams.

**SRU Claus Furnace** - The High Intensity burner is an effective Acid Gas burner providing high temperature rapid mixing to control the  $H_2S / SO_2$  ratio with sub-stoichiometric combustion.

© Greens Combustion Limited - Nov 2022

## HIGH INTENSITY BURNER

- Standard Windbox or Pressure Vessel to ASME VIII Div I
- Single Air Inlet or Staged Air Option
- Rapid Vortex Mixing, Short Flame
- Refractory Lined Combustor
- Up, Side, Down Fired



SIZE	P1	P2	A1	A2	A3	A4	A5	A6	B1	B2	B3	B4	B5	B6	B7	B8	B9	B10	B11
1	666	576	528	314	150	775	770	400	2	102	204	2	138	276	143	245	215	317	8
2	805	715	645	484	200	800	950	400	2	132	264	3	122	366	202	304	304	406	10
3	946	856	763	542	250	825	1000	400	3	108	324	4	114	456	262	364	393	495	14
4	1020	930	824	639	300	850	1100	400	3	118	354	4	126	504	293	395	440	542	14
5	1102	1012	892	749	350	975	1200	450	3	130	390	4	138	552	328	430	492	594	14
6	1215	1105	968	870	400	1000	1350	500	3	143	429	5	122	610	367	469	550	652	16
8	1318	1208	1053	1006	500	1125	1500	550	4	118	472	5	135	675	410	512	615	717	18
10	1434	1324	1149	1160	550	1150	1650	550	4	130	520	5	150	750	458	560	687	789	18
13	1563	1453	1255	1330	650	1300	1800	600	4	144	576	6	138	828	512	614	768	870	20
16	1728	1598	1374	1521	750	1350	2000	650	5	127	635	7	132	924	573	675	859	961	24
20	1890	1760	1508	1735	850	1500	2200	700	5	140	700	7	146	1022	640	742	960	1062	24
25	2141	2011	1726	1973	950	1650	2450	800	6	131	786	8	143	1144	716	838	1074	1196	28
31	2364	2214	1893	2241	1100	1825	2700	850	6	145	870	9	141	1269	800	922	1201	1323	30
39	2591	2441	2079	2538	1250	2000	3000	950	7	138	966	10	141	1410	895	1017	1342	1464	34
50	2865	2695	2287	2763	1400	2100	3200	1050	8	135	1080	11	144	1584	1000	1142	1501	1643	38