

# GreenBurn® RWFD

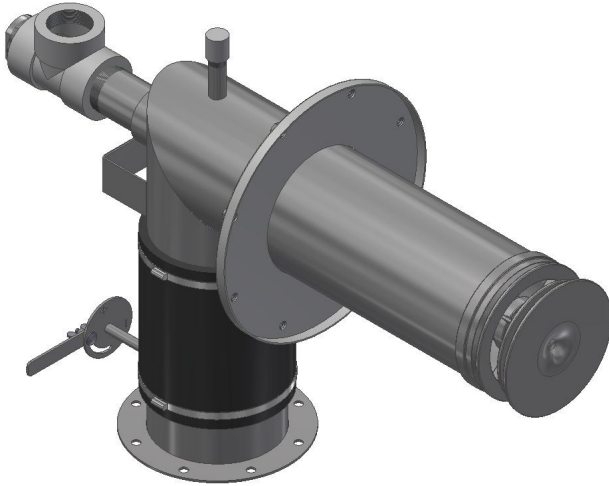
## Radiant Wall Forced Draught

Low NOx / Staged Air & Fuel Burner

Forced Draught / Gas Only

Wall Fired

Round Flame



### Features

- 0.2 to 0.9MW.
- Air Pressure 200 to 300 mmwg.
- Air preheat to 540 °C.
- Turndown - 10:1.
- Noise - < 85 dB'A'.
- NOx - < 100 mg/Nm<sup>3</sup>
- CO - < 30 mg/Nm<sup>3</sup>
- Nozzle mix design.
- High out of ratio turn down stability.
- No forward flame propagation.

### Overview

The GreenBurn RW is a forced draft radiant wall nozzle mix burner which can operate with a wide range of fuels from 100% hydrogen through to 100% propane as well as low calorific value off gas mixtures with no adjustments necessary.

Excellent stability over the burner operating range is maintained by a series of internal pre-combustion stabilising jets.

NOx reduction is a 3 stage process involving fuel staging, dilution of the main gas stream with the pre-combustion stabilising flames and enhanced flue gas recirculation generated by the high velocity gas jets exiting the burner head. This 3 stage process enables the GreenBurn RWFD to achieve the demands of today's Low NOx burners whilst maintain excellent stability, turndown and life span under the reformer environment.



URS is a member of Register of Standards (R444892) Ltd.



# GreenBurn® RWFD

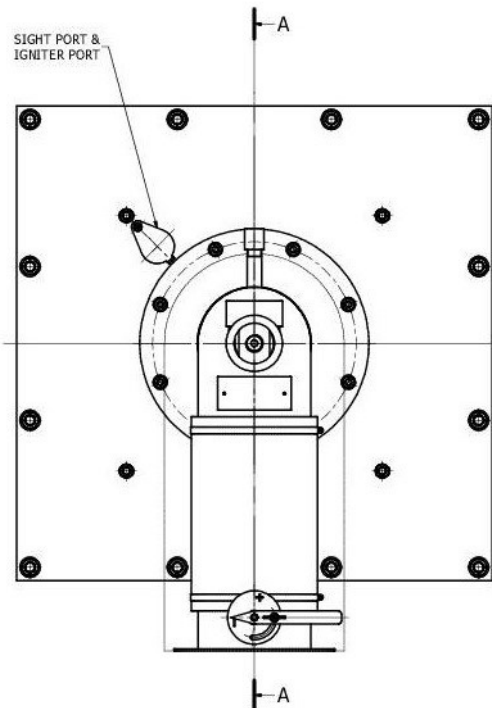
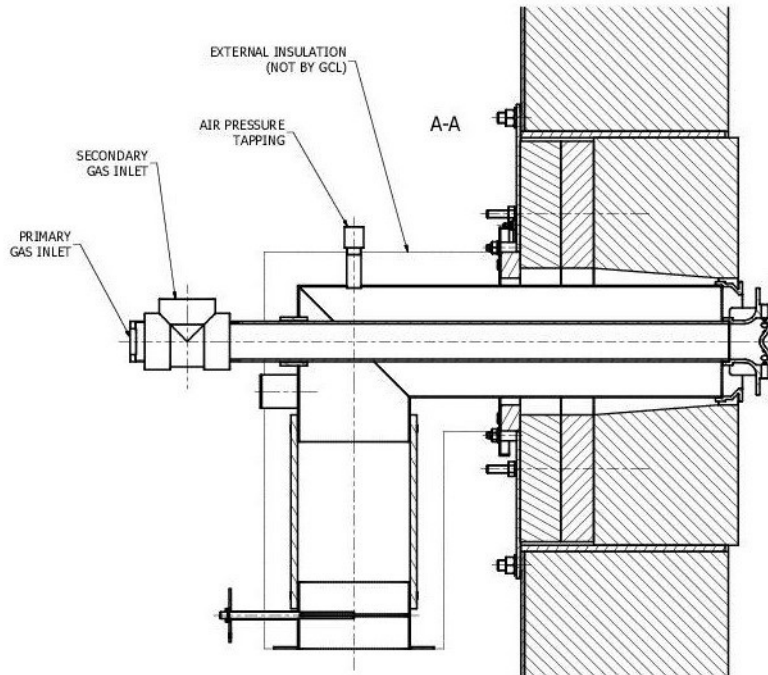
## Radiant Wall Forced Draught

Low NOx / Staged Air & Fuel Burner

Forced Draught / Gas Only

Wall Fired

Round Flame



Greens Combustion Limited,

A31, Arena Business Centre, Holyrood Close, Poole, Dorset, BH17 7FJ, UK

Tel: +44 (0)1202 607563 Email: [info@greenscombustion.com](mailto:info@greenscombustion.com)

**RWFD DATA SHEET**