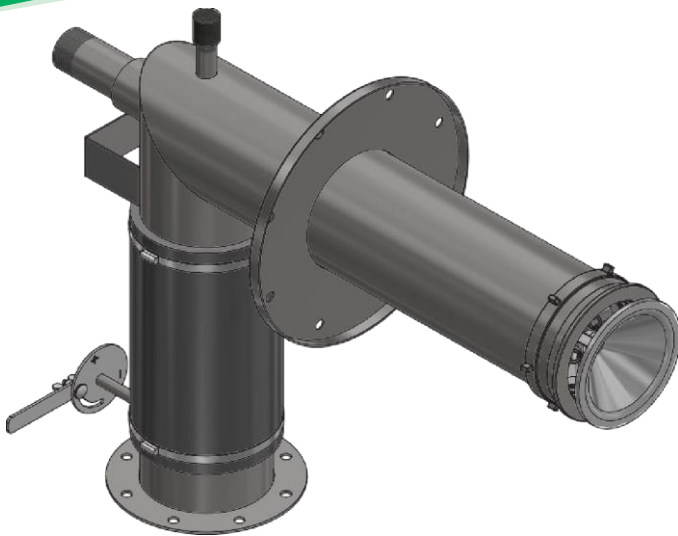


GreenBurn® RWFD

RADIANT WALL FORCED DRAUGHT

DATA
SHEET

- > Low NOx / Staged Air & Fuel Burner
- > Forced Draught / Gas Only
- > Wall Fired
- > Round Flame



Features

- » 0.2 to 0.9 MW
- » Air Pressure 200 to 300 mmwg
- » Air preheat to 540 °C
- » Turndown 10:1
- » Noise < 85 dB'A'
- » NOx < 100 mg/Nm³
- » CO < 30 mg/Nm³
- » Nozzle mix design
- » High out of ratio turndown stability
- » No forward flame propagation

© Greens Combustion Limited - May 2022

Overview

The GreenBurn® RW is a forced draught radiant wall nozzle mix burner which can operate with a wide range of fuels from 100% hydrogen through to 100% propane as well as low calorific value off gas mixtures with no adjustments necessary.

Excellent stability over the burner operating range is maintained by a series of internal pre-combustion stabilising jets.

NOx reduction is a 3 stage process involving fuel staging, dilution of the main gas stream with pre-combustion stabilising flames and enhanced flue gas recirculation generated by the high velocity gas jets exiting the burner head. This 3 stage process enables the burner to achieve the demands of today's Low NOx burners whilst

maintaining excellent stability and turndown.

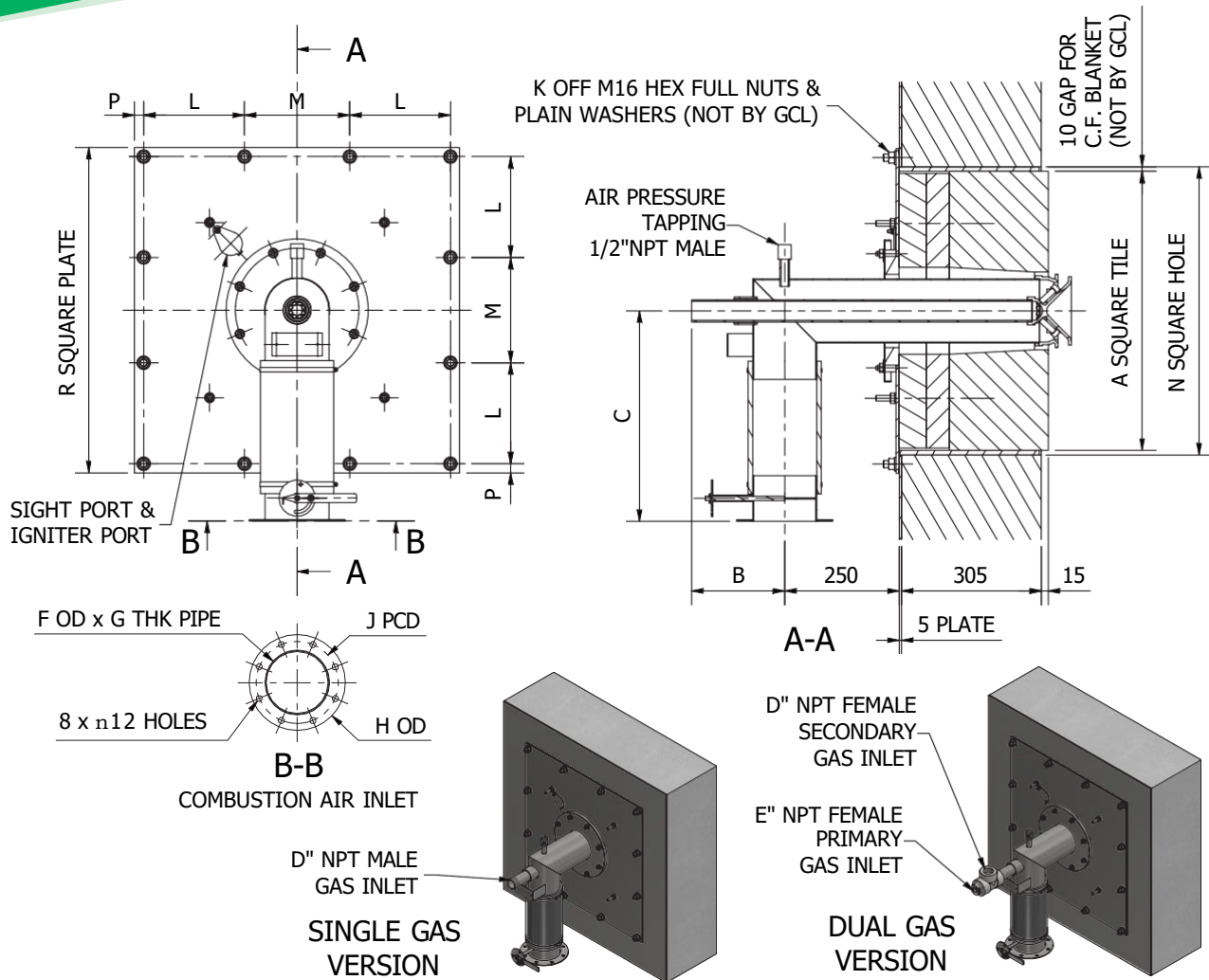
To ensure a long product life Greens ThermShock® tile module is designed specifically for radiant wall applications to minimise the risk of cracking to the refractory tile and reduce overheating of the burner mounting plate and furnace casing, thus increasing overall efficiency, operator safety and extended burner life span.

GreenBurn® RWFD

RADIANT WALL FORCED DRAUGHT

DATA SHEET

- > Low NOx / Staged Air & Fuel Burner
- > Forced Draught / Gas Only
- > Wall Fired
- > Round Flame



© Greens Combustion Limited - May 2022

BURNER DIMENSIONS																
BURNER SIZE	DIM A	DIM B	DIM C	SIZE D	SIZE E	DIM F	THK G	DIM H	DIM J	QTY K	DIM L	DIM M	DIM N	DIM P	DIM R	WEIGHT kg
75	457	130	370	1	1/2	88.9	2.1	160	130	8	260	-	477	21.5	560	170
125	610	205	460	1.1/2	3/4	139.7	2	210	180	12	220	230	630	20	710	235
150	610	200	460	2	3/4	168.3	2	240	210	12	220	230	630	20	710	235



+44 (0)1202 607563
info@greenscombustion.com
www.greenscombustion.com

