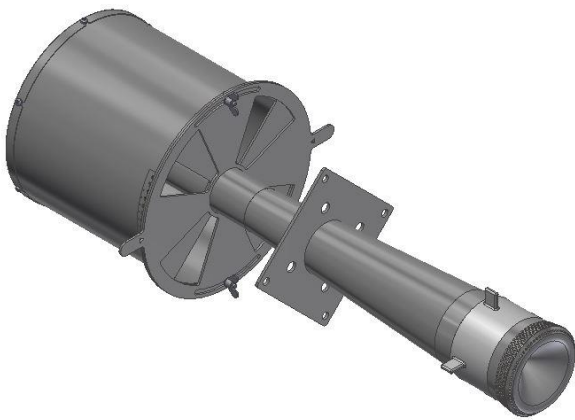


GreenBurn® RWND

RADIANT WALL NATURAL DRAUGHT

DATA
SHEET

- > Low NOx / Staged Fuel Burner
- > Self Inspiring / Gas Only
- > Wall Fired
- > Round Flame



Features

- » 0.1 to 0.8 MW
- » Draught 3 to 15 mmwg
- » Turndown 10:1
- » Noise < 85 dB'A'
- » NOx < 100 mg/Nm³
- » CO < 30 mg/Nm³
- » Side fired
- » High efficiency Venturi design
- » Easy to operate damper
- » Silenced air inlet for low noise applications

© Greens Combustion Limited – Nov 2022

Overview

The GreenBurn® RWND is a self inspiring premix burner that incorporates a venturi to inspire the air using the momentum of the fuel gas leaving the gas jet. This air/fuel mixture then leaves the burner nozzle through a series of holes which direct and shape the flame within furnace.

A Low NOx poker can be supplied to create a fuel staged environment thus reducing the emissions of this versatile burner.

The materials of construction are key to the burner design and Greens select the materials to ensure a long nozzle life expectancy combined with a lightweight construction and stainless body for ease of maintenance and resistance to the most arduous environments.

The aerodynamic design of the air inlet silencer provides low burner noise levels and offers better air flowrate

efficiency, reducing the susceptibility to the effect of wind and the likelihood of internal contamination and nozzle blockage from debris falling from the above platforms.

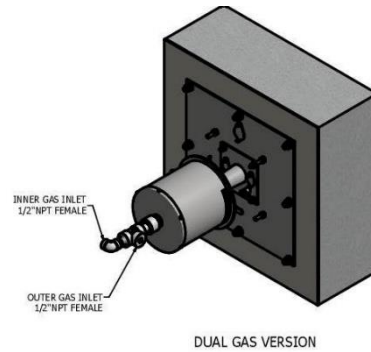
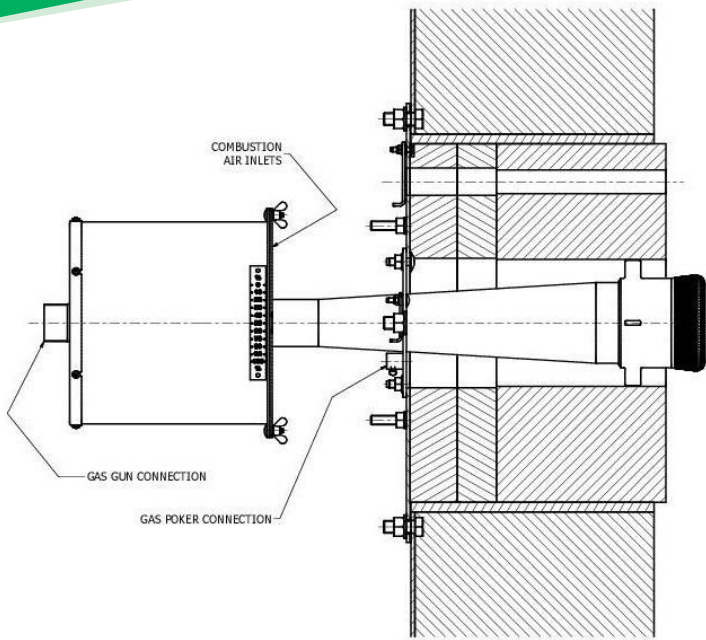
To ensure a long product life, Greens ThermShock® tile module is designed specifically for radiant wall applications to minimise the risk of cracking to the refractory tile and reduce overheating of the burner mounting plate and furnace casing, thus increasing overall efficiency, operator safety and extended burner life span.

GreenBurn® RWND

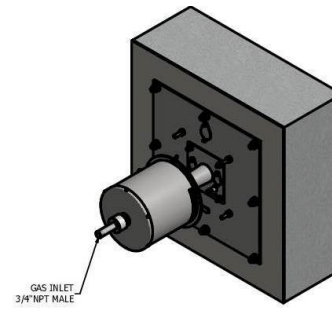
RADIANT WALL NATURAL DRAUGHT

DATA SHEET

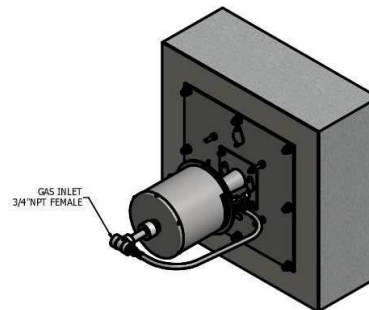
- > Low NOx / Staged Fuel Burner
- > Self Inspiring / Gas Only
- > Wall Fired
- > Round Flame



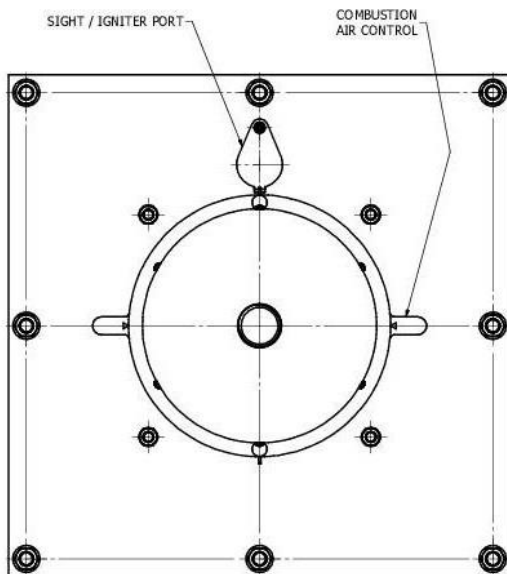
DUAL GAS VERSION



SINGLE GAS VERSION



LOW NOX VERSION



© Greens Combustion Limited - Nov 2022



+44 (0)1202 607563
info@greenscombustion.com
www.greenscombustion.com

