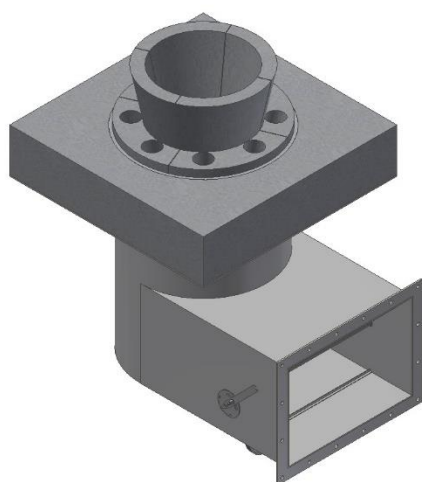


GreenBurn® SAFD

STAGED AIR FORCED DRAUGHT

DATA SHEET

- > Low NOx / Staged Air Burner
- > Forced Draught / Multi-Fuel
- > Up or Side Fired
- > Round or Flat Flame



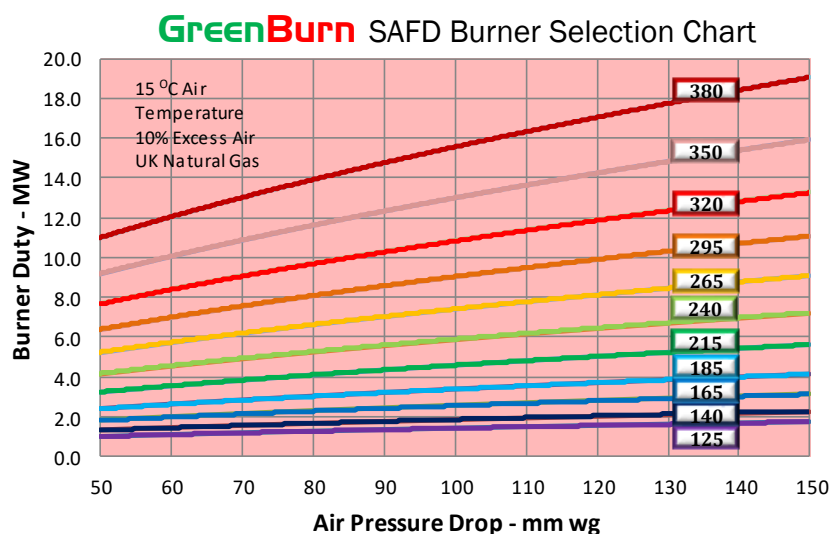
Features

- » Turndown 10:1
- » Noise < 85 dB'A'
- » NOx < 100 mg/Nm³
- » CO < 30 mg/Nm³
- » Single combustion damper for ease of operation
- » Single gas inlet for reduced site connections

© Greens Combustion Limited - Nov 2022

Overview

The GreenBurn® SAFD uses the principle of staged air, by splitting the combustion air into primary and secondary regions Greens can achieve Low NOx emissions whilst in turn providing stability and greater resistance to plugging across a wide range of fuel gases due to the fuel gun(s) larger holes.

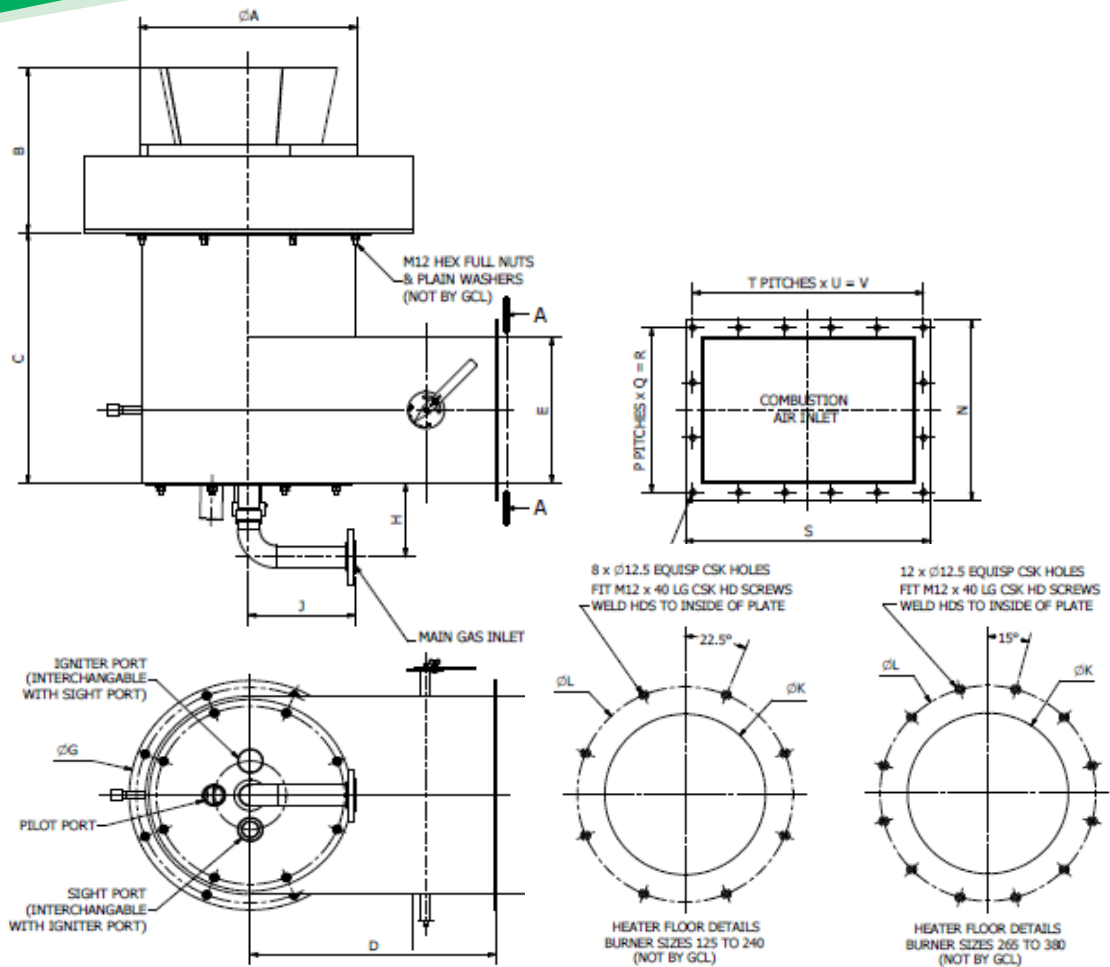


GreenBurn® SAFD

STAGED AIR FORCED DRAUGHT

DATA SHEET

- > Low NOx / Staged Air Burner
- > Forced Draught / Multi-Fuel
- > Up or Side Fired
- > Round or Flat Flame



| BURNER DIMENSIONS | | | | | | | | | | | | | | | | | | | | |
|-------------------|-----|-----|------|------|-----|-----|------|-----|-----|-----|-----|--------|-----|---|-----|-----|------|---|-----|-----|
| SIZE | A | B | C | D | E | F | G | H | J | K | L | M | N | P | Q | R | S | T | U | V |
| 125 | 380 | 342 | 360 | 355 | 220 | 290 | 380 | 160 | 140 | 280 | 340 | 1" | 310 | 2 | 135 | 270 | 380 | 3 | 113 | 339 |
| 140 | 409 | 357 | 406 | 401 | 246 | 330 | 420 | 160 | 160 | 310 | 380 | 1" | 336 | 2 | 148 | 296 | 420 | 3 | 127 | 381 |
| 165 | 455 | 377 | 467 | 462 | 280 | 384 | 474 | 180 | 190 | 340 | 434 | 1.1/2" | 370 | 3 | 110 | 330 | 474 | 3 | 145 | 435 |
| 185 | 493 | 398 | 530 | 525 | 314 | 442 | 532 | 180 | 220 | 380 | 492 | 1.1/2" | 404 | 3 | 121 | 363 | 532 | 4 | 123 | 492 |
| 215 | 549 | 424 | 610 | 605 | 358 | 514 | 604 | 200 | 250 | 430 | 564 | 2" | 448 | 3 | 136 | 408 | 604 | 4 | 141 | 564 |
| 240 | 597 | 449 | 685 | 680 | 400 | 580 | 670 | 200 | 290 | 470 | 630 | 2" | 490 | 3 | 150 | 450 | 670 | 5 | 126 | 630 |
| 265 | 645 | 487 | 762 | 757 | 442 | 650 | 740 | 200 | 320 | 510 | 700 | 2" | 532 | 4 | 123 | 492 | 740 | 5 | 140 | 700 |
| 295 | 701 | 531 | 832 | 827 | 482 | 710 | 800 | 220 | 350 | 560 | 760 | 2.1/2" | 572 | 4 | 133 | 532 | 800 | 6 | 127 | 762 |
| 320 | 748 | 569 | 912 | 907 | 526 | 782 | 872 | 220 | 390 | 600 | 832 | 2.1/2" | 616 | 4 | 144 | 576 | 872 | 6 | 139 | 834 |
| 350 | 805 | 614 | 995 | 990 | 572 | 856 | 946 | 240 | 420 | 650 | 906 | 3" | 662 | 5 | 124 | 620 | 946 | 7 | 129 | 903 |
| 380 | 862 | 659 | 1085 | 1080 | 622 | 936 | 1026 | 240 | 460 | 700 | 986 | 3" | 712 | 5 | 134 | 670 | 1026 | 7 | 141 | 987 |

© Greens Combustion Limited - Nov 2022



+44 (0)1202 607563
info@greenscombustion.com
www.greenscombustion.com

