

GreenBurn® SAND

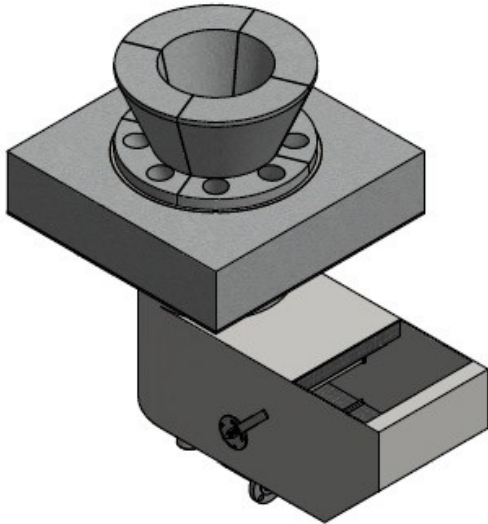
Staged Air Natural Draught

Low NOx / Staged Air Burner

Natural Draught / Multi-Fuel

Up or Side Fired

Round or Flat Flame



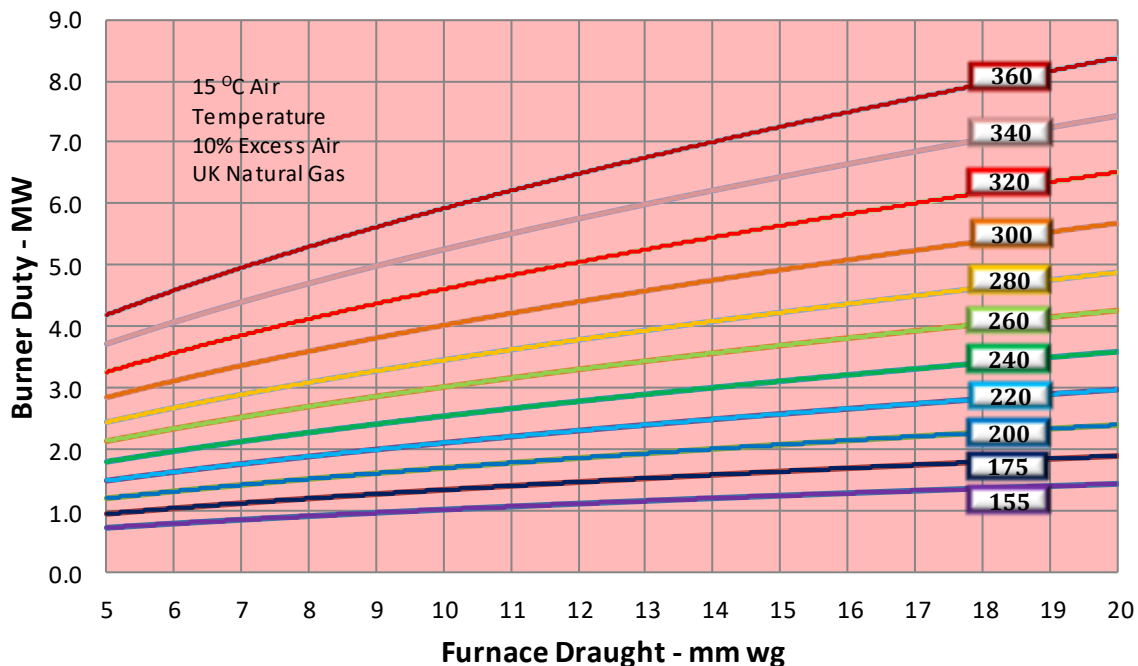
Features

- Turndown - 10:1.
- Noise - < 85 dB'A'.
- NOx - < 100 mg/Nm³
- CO - < 30 mg/Nm³
- Single combustion damper for ease of operation.
- Single gas inlet for reduced site connections.
- Silenced windbox with perforated retaining plate for longer insulation life.

Overview

The Greenburn ND uses the principle of staged air, by splitting the combustion air into primary and secondary regions Greens can achieve low NOx emissions whilst in turn providing stability and greater resistance to plugging across a wide range of fuel gases due to the fuel gun / guns larger holes.

GreenBurn SAND Burner Selection Chart



URS is a member of Register of Standards (Holdings) Ltd.



GreenBurn® SAND

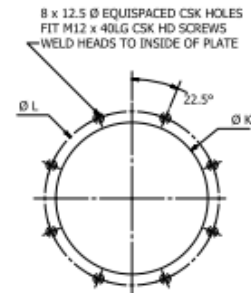
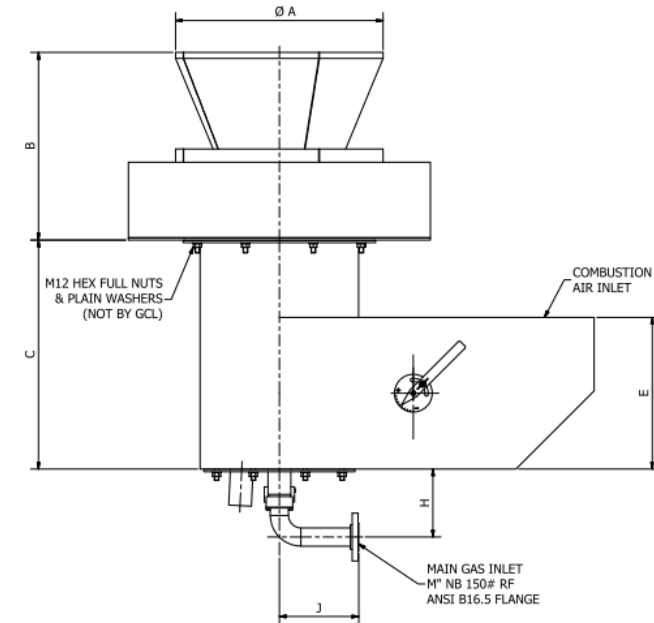
Staged Air Natural Draught

Low NOx / Staged Air Burner

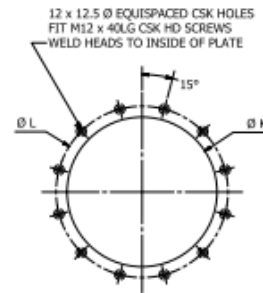
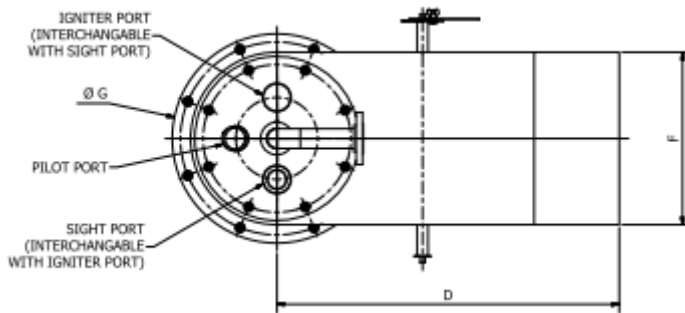
Natural Draught / Multi-Fuel

Up or Side Fired

Round or Flat Flame



HEATER FLOOR DETAILS
BURNER SIZES 155 TO 280
(NOT BY GCL)



HEATER FLOOR DETAILS
BURNER SIZES 300 TO 360
(NOT BY GCL)

BURNER DIMENSIONS

SIZE	A	B	C	D	E	F	G	H	J	K	L	M
155	448	439	502	652	332	350	440	160	175	340	400	1"
175	497	468	555	747	370	380	470	160	190	370	430	1"
200	550	497	607	834	402	420	510	180	210	410	470	1.1/2"
220	599	526	661	926	436	460	550	180	230	450	510	1.1/2"
240	647	554	712	1011	467	500	590	180	250	490	550	1.1/2"
260	695	583	765	1106	505	530	620	180	265	520	580	1.1/2"
280	739	607	808	1174	528	570	660	200	285	560	620	2"
300	788	636	860	1261	560	610	700	200	305	600	660	2"
320	835	664	913	1356	598	640	730	200	320	630	690	2"
340	884	692	966	1445	631	680	770	200	340	670	730	2"
360	932	720	1017	1530	662	720	810	200	360	710	770	2"

Greens Combustion Limited,

A31, Arena Business Centre, Holyrood Close, Poole, Dorset, BH17 7FJ, UK

Tel: +44 (0)1202 607563 Email: info@greenscombustion.com

SAND DATA SHEET