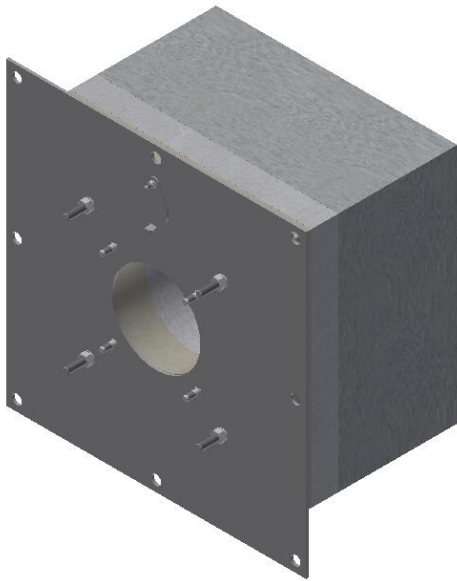


ThermShock[®] MODULE

DATA
SHEET

- > Flat or Contoured Throat Design
- > New or Existing Installations



Features

- » Supplied as a single piece module for ease of installation and a more robust construction
- » High thermal shock resistant micro-refractory minimises the risk of tile cracking
- » Lower burner mounting plate temperatures for enhanced operator safety and reduction of heat losses
- » Can be retrofitted for most installations and burner models

Overview

Historically many Radiant Wall Steam Methane Reformers (SMR's) were fitted with burners using 4-piece refractory tiles with low service temperatures and retaining mechanisms that allowed the multi-piece tile design to move excessively resulting in permanently damaged burner tiles, poor burner performance and overheating furnace casings.

Designed specifically for radiant wall (SMR's) Greens Combustion's burner tile module minimises the risk of cracking to the refractory tile and reduces overheating of the burner mounting plate and furnace casing, thus increasing overall efficiency, operator safety and extended burner life span.

The basis of the design is a single piece refractory block which minimises the grain boundary glassy phase hence the damaging effects from grain boundary sliding with micro cracking greatly reduced giving ThermShock excellent high temperature resistance to creep, spalling and cracking.

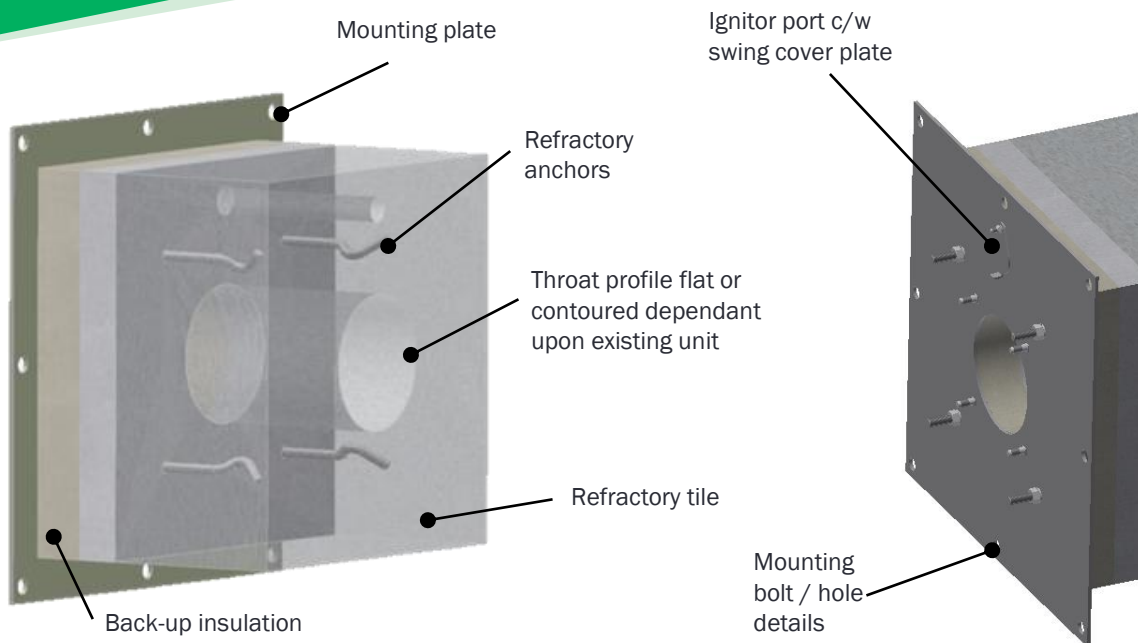
© Greens Combustion Limited - Nov 2022

ThermShock[®] MODULE

RADIANT WALL APPLICATIONS

DATA SHEET

- > Flat or Contoured Throat Design
- > New or Existing Installations



Refractory	
ThermShock	Alumina content > 60% / Iron Oxide content < 1.5% / service temperature 1,650°C / cold crushing strength (@1,600°C) >100 MPa / permanent linear change (@1,600°C) <0.5%
Back-up insulation	
1st layer ceramic fibre	Vacuum formed board, minimum service temperature 1,260°C
2nd layer calcium silicate	Vacuum formed board, minimum service temperature 1,000°C
Mounting Plate	
Plate	Stainless steel BSEN10088-1.4003
Refractory anchors	Stainless steel BS970-310S31
Mounting bolts	GR-8 BZP&P

© Greens Combustion Limited - Nov 2022



+44 (0)1202 607563
info@greenscombustion.com
www.greenscombustion.com

