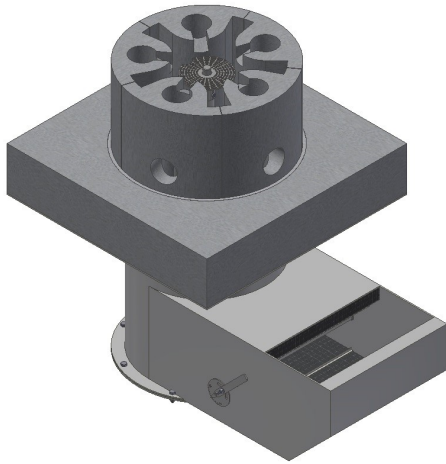


GreenBurn® ULNB

Ultra Low Nox Burner

Ultra Low NOx / Staged Fuel & Air Burner
Natural Draught / Gas Only
Up or Side Fired
Round Flame



Features

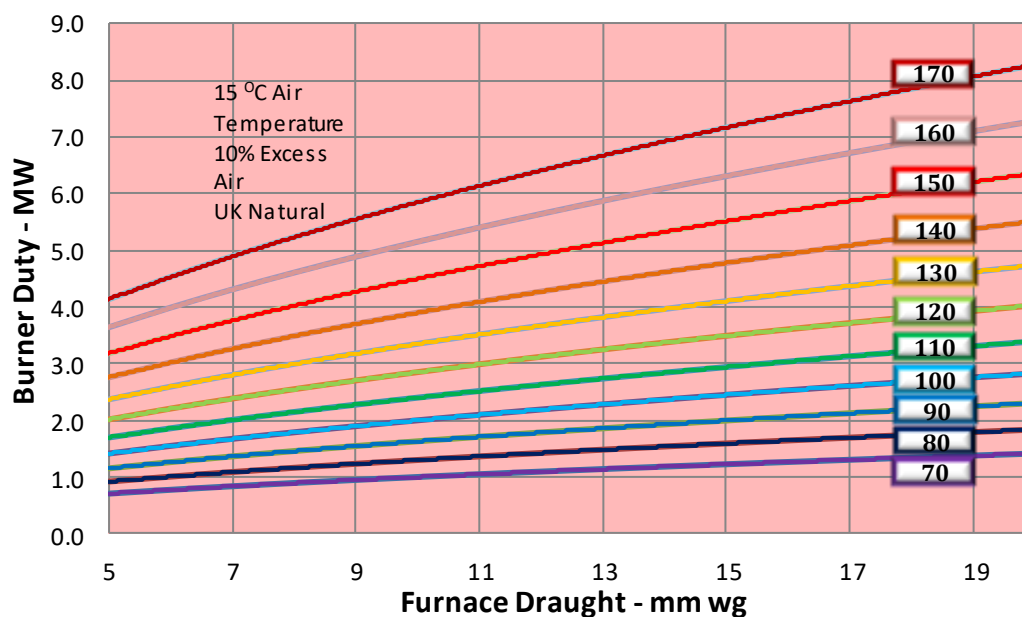
- Turndown - 10:1.
- Noise - < 85 dB'A'.
- NOx - < 50 mg/Nm³
- CO - < 30 mg/Nm³
- Asymmetric pokers
- Single Inlet Gas Gun
- Single Damper
- Silenced Windbox

Overview

The Greenburn Ultra combines all current NOx reduction methods; staged air, staged fuel and flue gas recirculation to achieve sub 50 mg/Nm³ NOx emissions.

By having an asymmetric poker design it has a small footprint meaning its ideal for retrofit in old furnace with tight dimensions or minimizing foot prints for new installations.

GreenBurn ULNB Burner Selection Chart

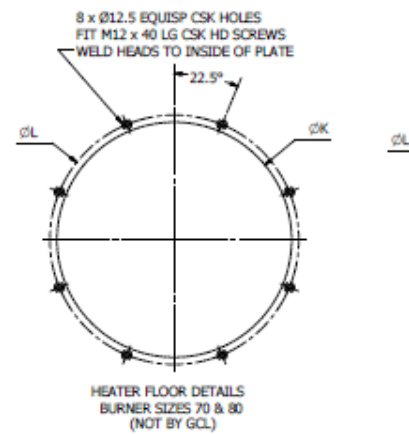
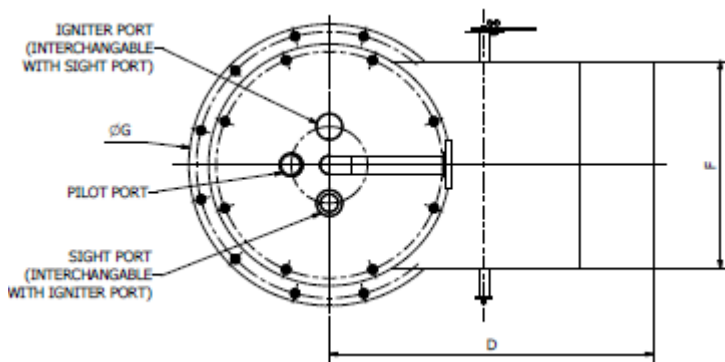
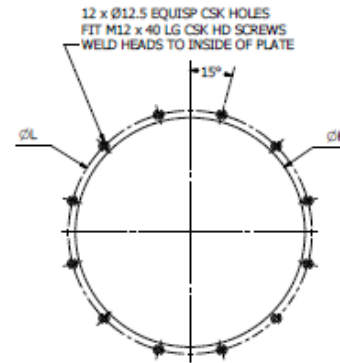
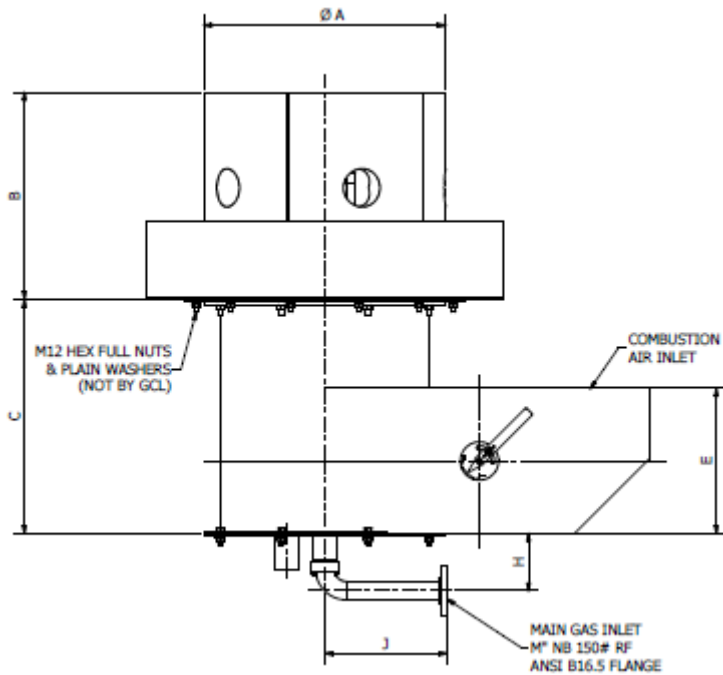


URS is a member of Registrar of Standards (Holdings) Ltd.



GreenBurn® ULNB

Natural Draught
 Low NOx / Staged Fuel & Air Burner
 Natural Draught / Gas Only
 Up or Side Fired
 Round Flame



BURNER DIMENSIONS												
SIZE	A	B	C	D	E	F	G	H	J	K	L	M
70	516	455	504	617	297	426	620	150	260	540	580	1.1/2"
80	556	485	551	693	324	466	660	150	280	580	620	1.1/2"
90	594	512	598	771	352	504	698	150	300	618	658	1.1/2"
100	633	542	646	849	380	543	737	150	320	657	697	1.1/2"
110	672	572	693	928	408	582	776	150	340	696	736	1.1/2"
120	712	599	740	1005	435	622	816	150	360	736	776	1.1/2"
130	753	629	791	1088	465	663	857	170	380	777	817	2"
140	794	662	841	1172	495	704	898	170	400	818	858	2"
150	837	692	892	1254	524	747	941	170	420	861	901	2"
160	880	722	945	1343	556	790	984	190	440	904	944	2.1/2"
170	923	755	998	1429	587	833	1027	190	470	947	987	2.1/2"

Greens Combustion Limited,

A31, Arena Business Centre, Holyrood Close, Poole, Dorset, BH17 7FJ, UK

Tel: +44 (0)1202 607563 Email: info@greenscombustion.com

ULNB DATA SHEET